

# GLAS*Source*

## Highlight / Prestige Series Shower Enclosure

### ASSEMBLY INSTRUCTIONS

Model Numbers

SS11190-36  
PSS11190-36

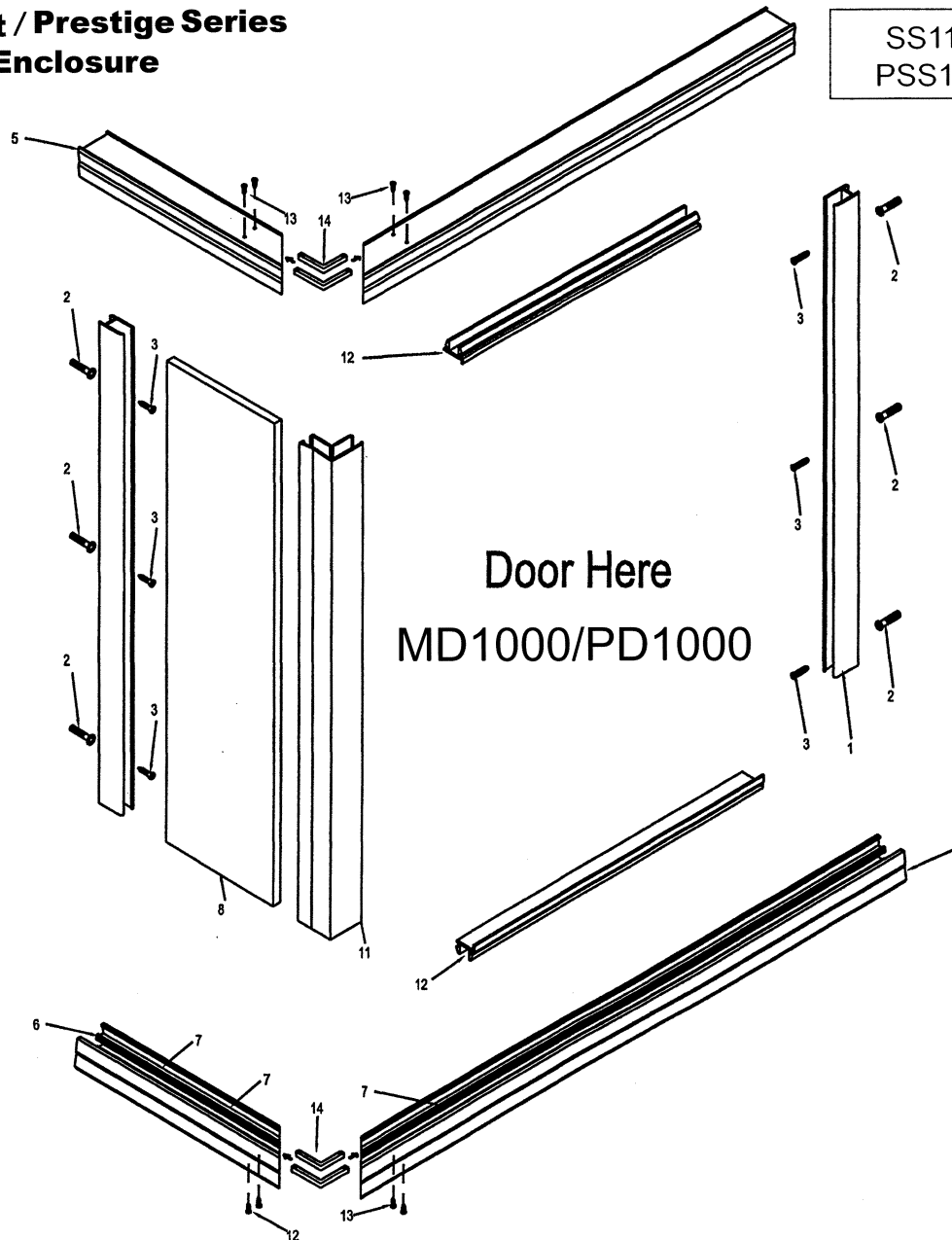
Door with 90° Panel

When ordering repair parts, please give the following information:

1. Model Number
2. Part Number
3. Part Description
4. Color

To install your shower enclosure, you will need the following:

- Level
- #31 Drill Bit
- Glazing Block
- Hack Saw
- 3/16" Carbide Drill Bit (for the tile walls)
- Phillips Screwdriver
- Silicone

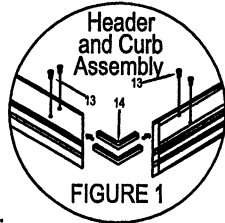


Door Here  
MD1000/PD1000

Description	Qty	Part No.	Picture
1. Wall Channels	2	D-1006	
2. Wall Anchors	8	V-935	
3. 8 x 1 1/4" Screws	6	ZS8X114	
4. 6 x 3/8 Screws	8	ZS6X38	
5. Headers-Mitered 45 Degrees	2	SS-1101	
6. Curbs-Mitered 45 Degrees	2	SS-1101	
7. Glass Support Blocks	2	V-902	
8. 90-Degree Glass Panel	1		
9. Vertical Seal Vinyl	4	V-909	
10. Horizontal Seal Vinyl	4	V-906	
11. 90-Degree Corner Post	1	SS-1104	
12. Header and Curb Fillers	2	SS-1102	
13. 6 x 1/4" Screws	8	ZS632X114	
14. 90-Degree Header/Curb Clips	4	C-90	
Options:			
5. Prestige Header	2	PS-1701	
6. Prestige Curb	2	PS-1701	

**NOTE:** Wall channels (1), wall anchors (2) and screws (3) that are used in stall shower installation are shipped with the shower door. Read both door and stall instructions before starting installation.

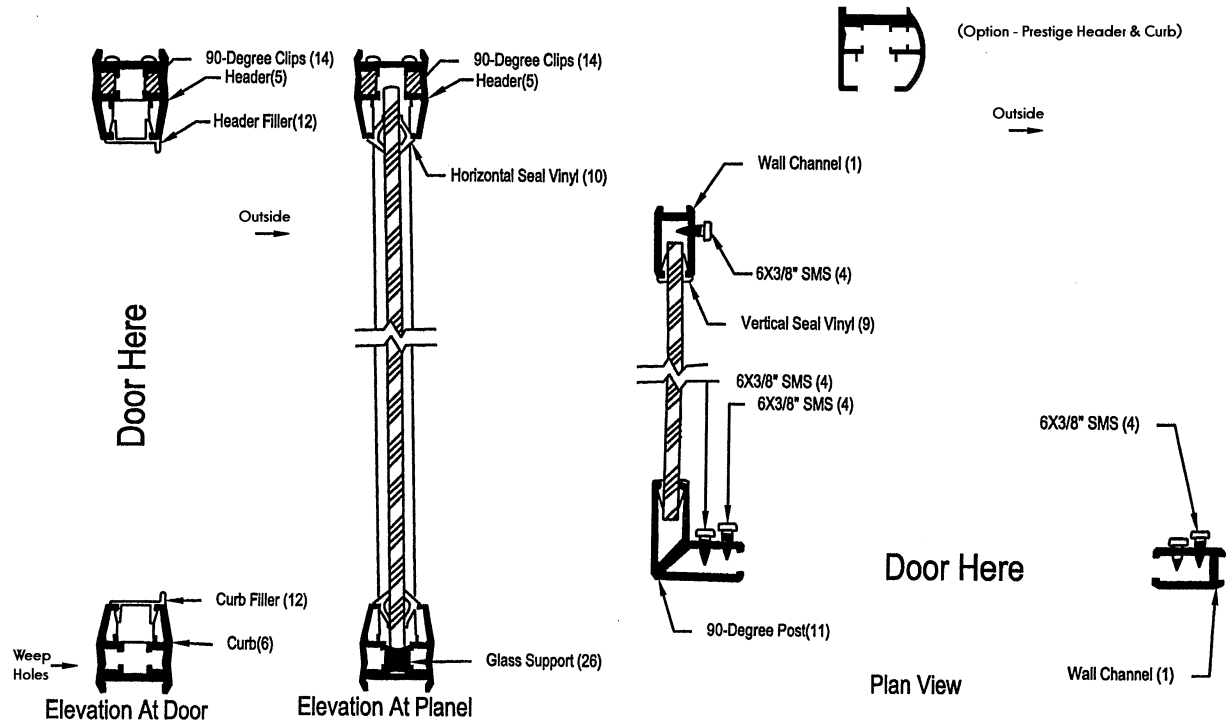
1. Add 1/2" to centerline measurement and cut curb to length.
2. Assemble curb with clips provided (Figure 1). Using template drill holes in header and curb, secure using eight 6 X 3/8" SMS Screws (13). Set curb in place and mark location on curb leaving curb in place temporarily.
3. Set wall channels into curb and mark holes on wall.
4. Remove wall channel and drill holes into wall using 3/16" drill. Place plastic screw anchors into holes.
5. Run a 1/4" bead of silicone on underside of curb, inside miter and where the ends of the curb is on the threshold.
6. Replace curb and silicone where miters are and where curb meets wall. Replace the wall channels and secure using 8 X 1 1/4" SMS.
7. Place glass support blocks in curb and set 90-degree panel glass in place, tacking at top with about 6" of the vertical seal vinyl. To adjust for wall conditions, adjust the panel in or out of the post, making sure that at least 1/4" remains in each channel.
8. Place corner post in place on other edge of glass and tack in place using vertical seal vinyl.
9. Check the chart for the door size, and obtain the range for the curb filler. If the distance between the wall channel and the corner post falls within this range then cut curb filler to size. If the measurement does not fall into the range, then a larger or smaller door is needed. Cut curb filler to size and snap in place with higher lip to outside of unit.



**(Refer to Shower Door Installation Instructions.)**

9. Snip excess vinyl from latch jamb, and crimp in place at top and bottom. Holding corner post, slip latch jamb into place.
10. Install 3" vinyl channel, centered on edge of glass and tap handle in place.
11. Set door (with hinge jamb attached) over wall channel. Door with hinge clip should be resting on curb filler.
12. Move the corner post and latch jamb in or out at the top of stationary panel until they align themselves with the glass.
13. **DO NOT MOVE FROM THE POSITION OF THE STATIONARY PANEL GLASS IN STEP #12,** because that determines the measurement of the header over the panel. Plumb the corner post to the door wall and measure from the corner post to the wall over the door. This determines the measurement of the header over the door. Add 1/4" to each of these measurements and cut header and assemble. Place header in place and recheck alignment. If the alignment is good secure to wall channels and corner post. Snap header filler in place with lip to outside of unit.
14. Complete the installation of the vertical and horizontal seal vinyl.
15. Recheck alignment. If anything moved, tape post to adjust. Adjust latch jamb for good fit. Use a #31 drill and 6 X 3/8" SMS to secure latch to post.
16. Adjust splash vinyl so that approximately 1/8" daylight space remains between bottom of splash vinyl and curb filler with the door in a closed position.
17. Adjust handle or clip to meet magnet for fine adjustment if necessary.
18. Seal along inside and outside edge of metal and tile with silicone.

Header & Curb Fillers		
Min. Filler=Door Size Minus 1 7/8"		
Max. Filler=Door Size Minus 7/8"		
Model Number	Min.	Max.
D-1000-23	21 1/8"	22 1/8"
D-1000-24	22 1/8"	23 1/8"
D-1000-25	23 1/8"	24 1/8"
D-1000-26	24 1/8"	25 1/8"
D-1000-27	25 1/8"	26 1/8"
D-1000-28	26 1/8"	27 1/8"
D-1000-29	27 1/8"	28 1/8"
D-1000-30	28 1/8"	29 1/8"
D-1000-31	29 1/8"	30 1/8"
D-1000-32	30 1/8"	31 1/8"
D-1000-33	31 1/8"	32 1/8"
D-1000-34	32 1/8"	33 1/8"
D-1000-35	33 1/8"	34 1/8"
D-1000-36	34 1/8"	35 1/8"





## Highlight/Prestige Series Door with 90° Panel

Model SS1190-36/PSS1190-36 Stall Shower - 90 Degree Panel & Door  
Special Height and Width SS1190-36

QTY.	Part# & Description	How to arrive at measurement
2	SS 1101/PS 1701 header	C/L unit width minus 1/2" - mitre 45° one end
2	SS 1101/PS 1701 curb	C/L unit width minus 1/2" - mitre 45° one end
2	SS 1102 filler	
1	SS1104 90° post	unit height minus 1-1/4" *
2	D 1006 wall channel	unit height minus 1-1/4" *
1	D 1504 latch jamb	unit minus 2-3/8" *
1	D 1505 hinge jamb	unit minus height 2-3/8" *
1	D 1503 hinge rail	unit minus height 3-1/4" *
1	V-522 hinge sleeve	unit height minus 3-1/4" *
1	D 1502 bottom rail	door glass width minus 11/16" *
1	D 1508 drip trough	door glass width minus 3/16" *
GLASS 1 pieces	width	see chart for door glass width
	height	unit height
GLASS 1 piece	panel width	unit width minus door width minus 1"
	panel height	unit height minus 1"

\* These parts are from a MD1000