

GLASource

Highlight / Prestige Series

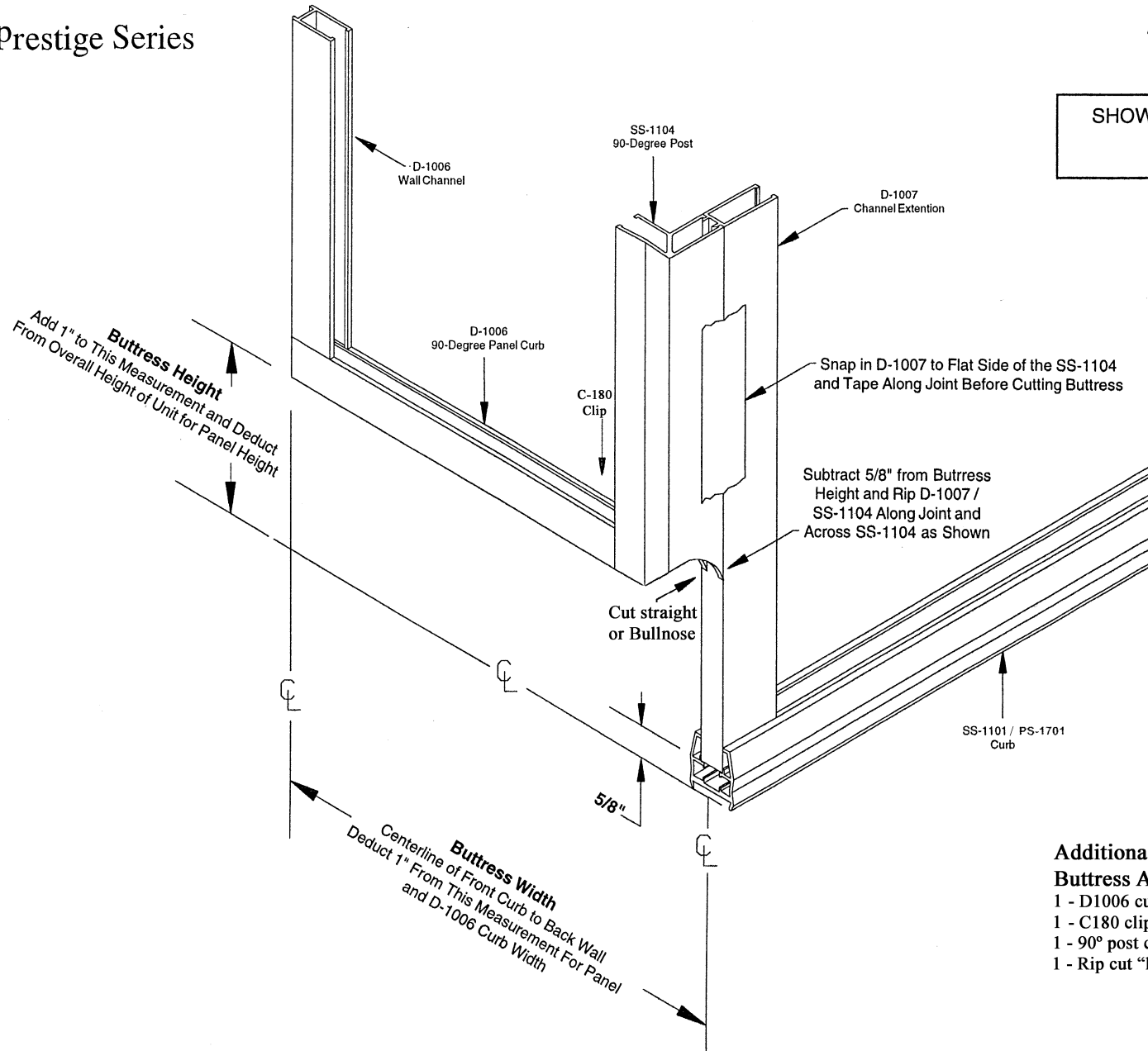
90°

Buttress Application

Model Numbers

SHOWER ENCLOSURES

SS 11190 - 36
PSS 11190 - 36



Additional parts for Buttress Application

- 1 - D1006 curb with weep hole
- 1 - C180 clip
- 1 - 90° post cut to height
- 1 - Rip cut "legs" up D1007

