

GLAS*Source*

Highlight / Prestige Series Shower Enclosure

ASSEMBLY INSTRUCTIONS

Model Numbers

SS11190 - 40/50
PSS11190 - 40/50

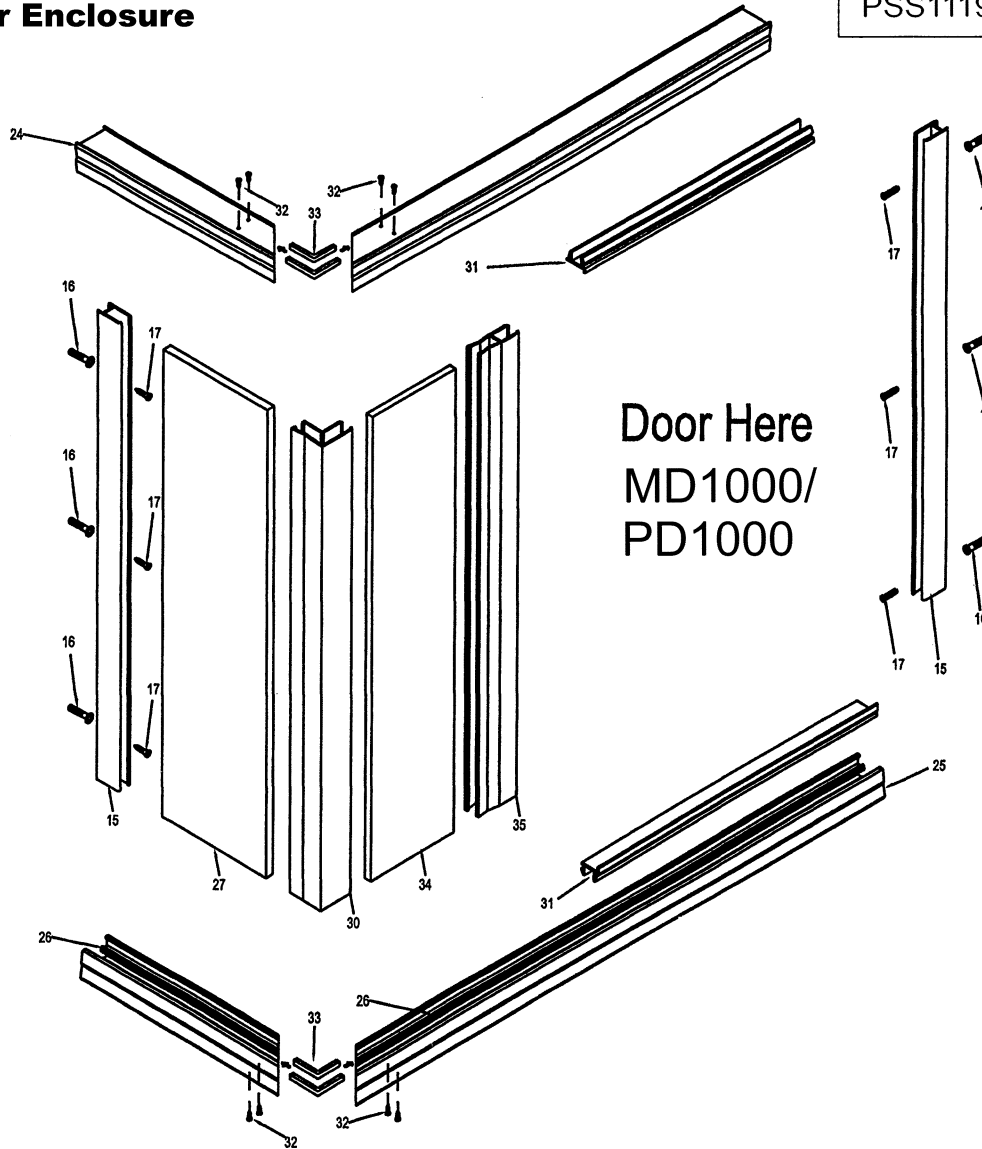
Door with Inline Panel and 90° Return Panel

When ordering repair parts, please give the following information:

1. Model Number
2. Part Number
3. Part Description
4. Color

To install your shower enclosure,
you will need the following:

- Level
- #31 Drill Bit
- Glazing Block
- Hack Saw
- 3/16" Carbide Drill Bit (for the tile walls)
- Phillips Screwdriver
- Silicone



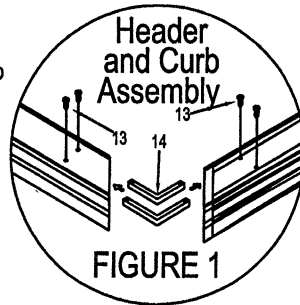
Door Here
MD1000/
PD1000

Description	Qty	Part No.	Picture
1. Wall Channels	2	D-1006	
2. Wall Anchors	6	V-935	
3. 8 x 1 1/4" Screws	6	ZS8X114	
4. 6-32 x 1/2"	2	ZS632X12	
5. Headers-Mitered 45 Degrees	2	SS-1101	
6. Curbs-Mitered 45 Degrees	2	SS-1101	
7. Glass Support Blocks	3	V-902	
8. 90-Degree Glass Panel	1		
9. Vertical Seal Vinyl	8	V-909	
10. Horizontal Seal Vinyl	6	V-906	
11. 90-Degree Corner Post	1	SS-1104	
12. Header and Curb Fillers	2	SS-1102	
13. 6 x 3/8 Screws	8	ZS6X38	
14. 90-Degree Header/Curb Clips	4	C-90	
15. In-Line Glass Panel	1		
16. In-Line Post	1	SS-1103	
Options:			
5. Prestige Header	2	PS-1701	
6. Prestige Curb	2	PS-1701	

Note: Wall channels (1) used in stall shower installation are shipped with the shower door. Read both Door and Stall instructions before starting installation.

1. Add 1/2" to centerline measurements for outside dimension of curb (6). Cut to length. Mark location of curb on threshold with pencil so that curb may be placed back in same position later on.

2. Assemble header (5) and curb (6) using two C-90 clips (14) into header and two clips (14) in curb. **Using Template, drill holes in header and curb. Then secure using eight 6 3/8" Screws (13).** See Figure 1.



3. Leave curb in place temporarily. Set wall channels (1) into recess in curb. Hold plumb and mark for screw holes. Remove wall channels and curb. Drill 3/16" holes in wall using a 3/16" carbide tipped drill bit. Insert plastic screw anchors (2) into holes. Run a 1/4" round bead of silicone to the full length of the underside of curb, across miters, screw clips and fill each end of curb with silicone where curb will meet wall. Also silicone joint where curb or pan curb meets vertical wall (in the area that will later be covered by metal curb).

4. Replace curb on threshold and apply silicone INSIDE OF CURB at miters, on the top of curb screws and at both walls. Replace wall channels and secure to walls using 8 X 1 1/4" screws (3).

5. Insert two glass support blocks (7) in curb and set 90-degree panel glass (8) in place in curb and wall channel (smooth side of glass to inside). Hold panel in place by starting approximately six inches of the vertical seal vinyl (9) into the wall channel at top of the glass panel, both inside and out. Adjustments for out-of-plumb walls are accomplished by the movement of glass panel in and out of channels. For proper installation of vinyl for water tightness, the glass must extend at least 1/4" into channels.

6. Set corner post (11) in place over glass and into curb (fluted side of post next to the panel glass). Hold post in temporary position by securing top with vertical seal vinyl (9) and at bottom by securing post to curb with 6 X 3/8" (13) on inside of curb on the door side.

7. Insert glass support block (7) in curb where in-line glass panel (15) will go.

8. Set in-line glass panel (15) in place (smooth side of glass to inside) and move all the way into corner post (11). Tack in place at top only with vertical seal vinyl (9).

9. Set in-line post (16) in position (Fluted Side Toward Fixed Panel) and move as far onto glass as possible. Tack in place at top with wall channel vinyl. To get door and panel to fit opening, your unit has 1" adjustment in fixed panel and 1" adjustment in door. 1/2" maximum at each point. Most installers prefer to take the maximum adjustment out of the stationary panel and the remainder out of the door. There are two things to consider when determining these adjustments. First, the glass of the fixed panel must go into the corner post and in-line post at least 1/4" at both sides This is to ensure that the vinyl will hold the glass properly and provide adequate water protection. A good way to remember this is that the distance between the corner post and in-line post

on stationary panel side can never be narrower than panel size minus 1 1/2" and never wider than panel size minus 1/2". For example: A 10" panel = 8 1/2" minimum distance and 9 1/2" maximum distance. Second, the opening for the door must be adequate. The curb and header filler (12) will help you determine this. Minimum length for header filler is door size minus 1 7/8" and the maximum length is door size minus 7/8". For example, for a MD-1000-24, the minimum length of curb or header filler is 22 1/8" and the maximum length is 23 1/8". However, if the adjustable latch jamb is used add 3/16" to these measurements, making the minimum length of curb and header filler for D-1000-24 = 22 5/16" and maximum length = 23 5/16".

10. Temporarily set in-line post (16) so that the distance between wall channel on door side and in-line post is at least the minimum measurement for the curb filler. For example, A standard MD-1000-24 = 22 1/8" (D-1000-24 w/ adjustable latch jamb = 22 5/16"). Now check the plumb of the wall on the door side. If wall is leaning in towards the center 3/8" then this 3/8" must be added to the length of the curb filler. If the wall is leaning out, away from the center, the curb filler remains the same and the out condition measurement is added to the header filler measurement (Provided the measurement doesn't exceed the maximum.). Move In-Line post accordingly.

11. Now check panel side measurements to be sure you are within the tolerances at both top and bottom. If the measurements are good, cut curb filler (12) to size and install with the 1/8" raised lip to the outside. If the panel size measurements are not good, move in-line post accordingly, remembering that you have four places to adjust; at the hinge side, the latch side and both sides of the fixed panel. Header and curb filler should always fit tight between the wall channel and in-line post, both at the top and at the bottom.

Refer to D1 Shower Door Installation instructions for door assembly.

(Door may be pre-assembled)

12. Set door (with hinge jamb attached) over wall channel using adjustments derived from Step #10. Door with hinge clip should be resting on TOP of curb filler (12). Use a #31 drill bit and 6 X 3/8" (13) to secure hinge jamb to wall channel.

13. Apply the 3" V-914 vinyl (D 1) on handle edge of door glass. Top of vinyl should be 1 1/2" above center. Tap on handle (D 1)

14. Pull in-line post (16) over until it butts to curb filler (12) at bottom.

15. Snip excess vinyl from latch jamb vinyl (D 1), crimp at bottom and place latch jamb over in-line (16), but DO NOT SECURE.

16. The heat treating of the glass sometimes causes the glass to bow. To insure water tightness at the latch, it is important to get the latch jamb to follow the bow in the glass as closely as possible. Because door closes against latch jamb and in-line post which are not held firmly in place with header at this time. It is necessary to substitute your 4 ft. level or straight edge to align door wall channel and in-line post with latch jamb and corner post until header lengths are determined.

17. Stand inside shower and hold the straight edge on outside of wall channel, in-line post and 90-degree corner post above door. Holding them in line, pull door closed and align to latch jamb by moving the 90-degree corner post (11) in and out at top of the 90-degree panel (8).

18. Step #17 determines the length of the header (5) over the in-line panel (16). DO NOT MOVE FROM THIS POSITION ON STATIONARY PANEL GLASS. Now plumb the corner post to the door side wall and measure the distance from both walls to the outside edge of corner post. Add 1/4" to these measurements and you have the outside dimension to your header. Cut to size.

19. Place header (5) into position over wall channels (1), corner post (11) and in-line post (16). Recheck alignment of door at latch jamb. If alignment is still good, move in-line post tight against your curb filler at the bottom. Plumb and measure header filler (12). Cut header filler and snap into place in the header with the 1/8" lip to outside.

20. Secure headers to wall channel on stationary panel side with 6 X 3/8" (13) on inside of header. Before securing header over door, make header parallel with top of door by moving it up or down at either wall channel or corner post. Once this is done secure header to wall channel, in-line post and corner post with 6 X 3/8" on inside of the header. Secure in-line post and 90-degree corner post to curb in same fashion.

21. Complete the installation of vertical seal vinyl (9) in wall channel and corner post.

22. Install horizontal seal vinyl (10) at top and bottom of stationary panel both inside and out.

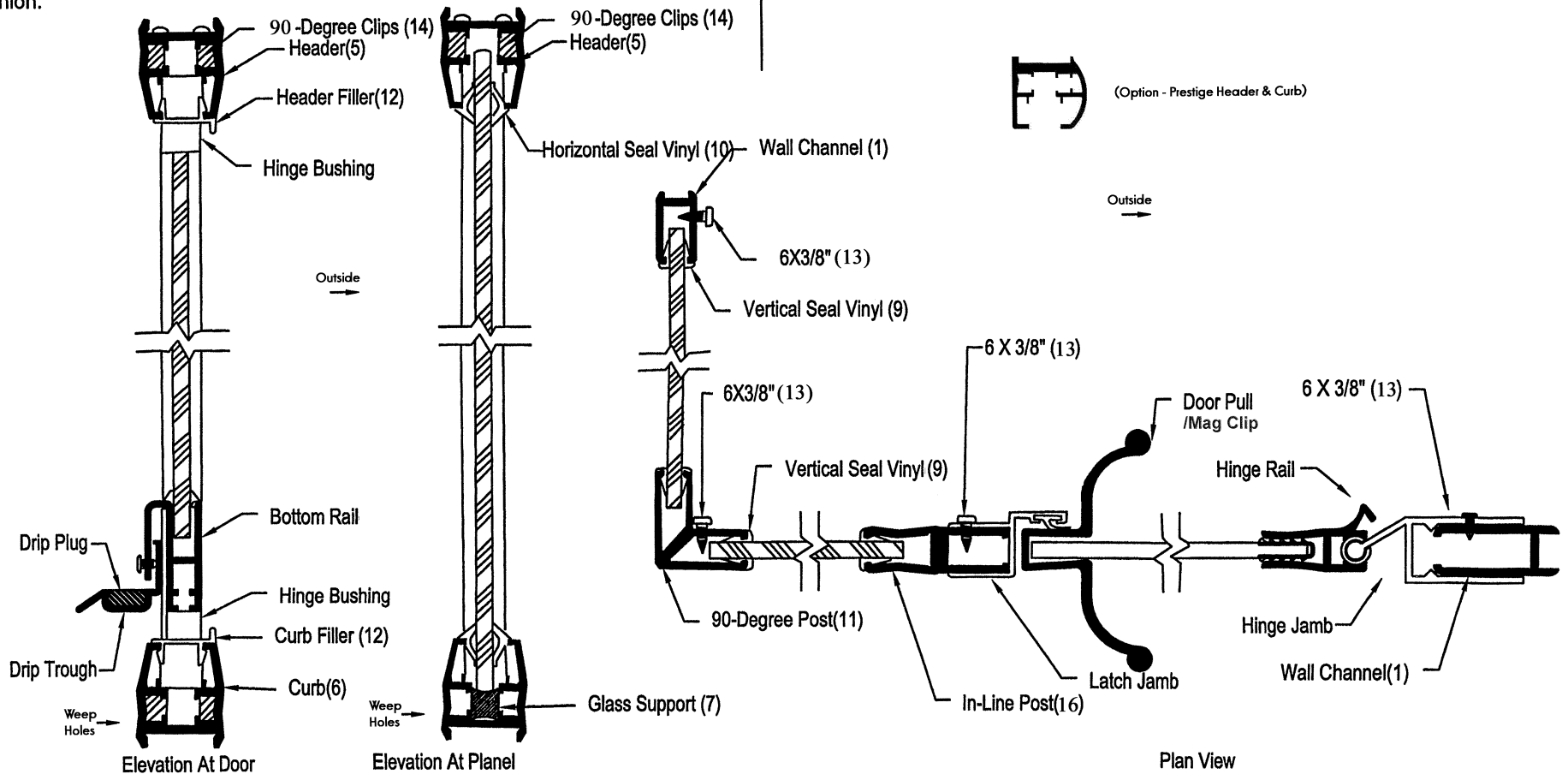
23 Recheck alignment of door and corner post. If installation of vinyl into corner post has pushed corner post out of alignment, realign by tapping corner post back or forth on stationary panel until it is realigned.

24. Adjust latch jamb (D1) for good fit (normally 3/16" clearance from edge of door to latch jamb is perfect, see Figure 2). Now secure with 6 X 3/8" (13).

25. Adjust handle or clip to meet magnet for fine adjustment if necessary.

26. Adjust drip trough (D1), up at latch side of door and down at hinge side of door so water will drain into shower when door is opened. Adjust splash vinyl (D1) to within 1/8" of curb. IMPORTANT: Splash vinyl should never be in direct contact with curb! A 1/8" space should exist between vinyl and curb.

27. Silicone along inside and outside edge of metal and tile.





Highlight/Prestige Series Door with Panel Inline and 90° Return Panel

Model SS11190-40/50/PSS11190-40/50 Door with Panel Inline and 90° Return Panel
Special Height and Width

QTY.	Part# & Description	How to arrive at measurement
2	SS 1101/PS 1701 header	C/L unit width minus 1/2" - mitre 45° one end
2	SS 1101/PS 1701 curb (weep holes)	C/L unit width minus 1/2" - mitre 45° one end
2	SS 1102 filler	
1	SS 1103 180 degree post	unit height minus 1-1/4" *
1	SS 1104 90 degree post	unit height minus 1-1/4" *
2	D1006 wall channel	unit height minus 1-1/4" *
1	D1504 latch jamb	unit height minus 2-3/8" *
1	D1505 hinge jamb	unit height minus 2-3/8" *
1	D1503 hinge rail	unit height minus 3-1/4" *
1	V-522 hinge sleeve	unit height minus 3-1/4" *
1	D1502 bottom rail	door glass width minus 11/16" *
1	D1508 drip trough	door glass width minus 3/16" *
GLASS 1 piece	panel width	unit width minus door width, minus 1"
	return panel width	unit width minus 1"
	panel height	unit height minus 1"

* These parts are from a MD/PD1000