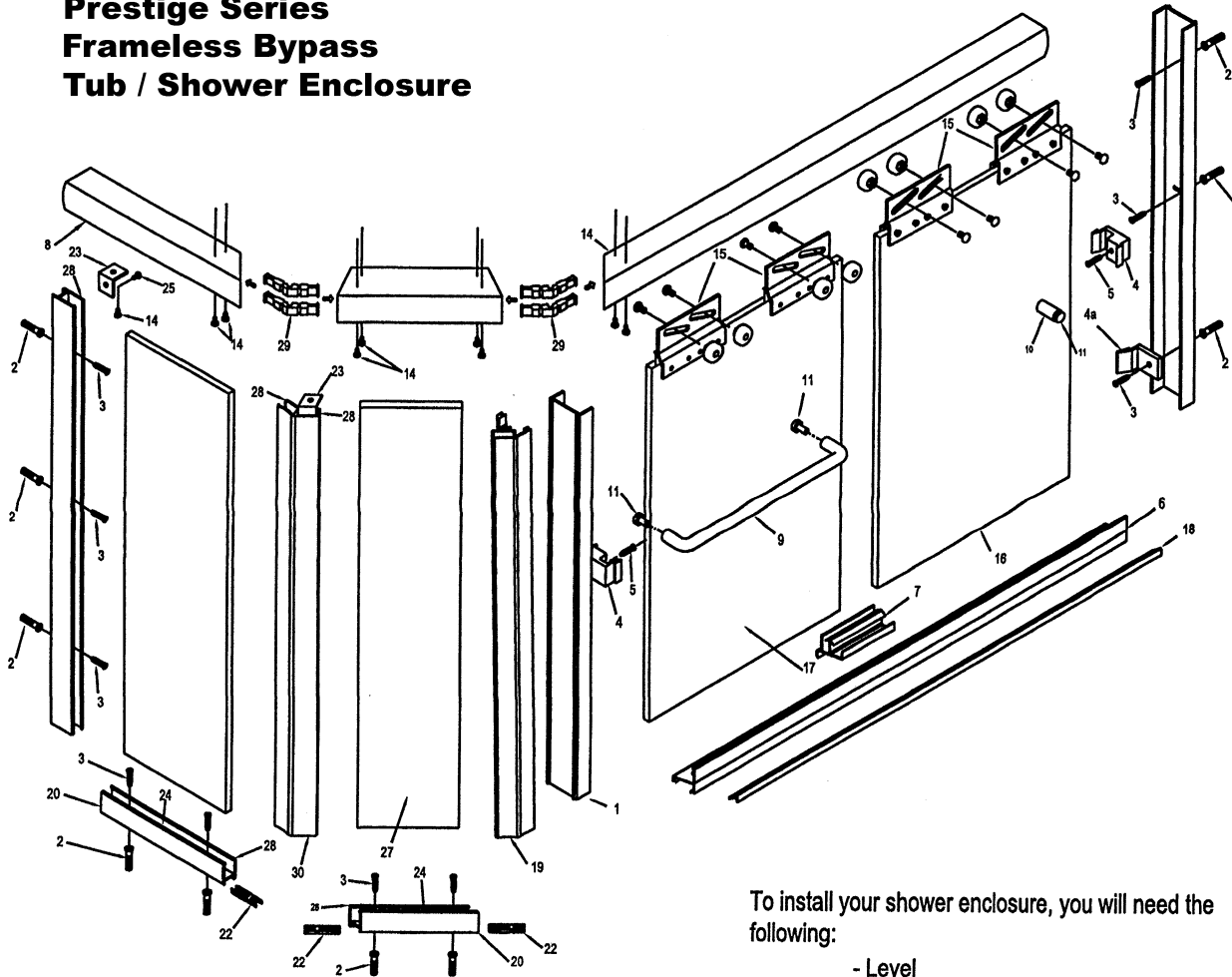


GLAS*Source*

Prestige Series Frameless Bypass Tub / Shower Enclosure



When ordering repair parts, please give the following information:

1. Model Number
2. Part Number
3. Part Description
4. Color

To install your shower enclosure, you will need the following:

- Level
- #31 Drill Bit
- 3/16" Carbide Drill Bit (for tile walls)
- Phillips Screwdriver
- Silicone
- Hack Saw
- 1/4" Box End Wrench

INSTALLATION INSTRUCTIONS PT1600-4 / PS1600-4

Description	Qty	Part No.	
1. Wall Jamba	2	TE-1203	
2. Wall Anchors	6	V-935	
3. 8 x 1-1/4" Screws	6	ZS8X114	
4. Door Bumpers	2	V-924	
4a. Bottom Bumper	1	V-926	
5. 6-32 x 1/2" Screw	2	ZS632X12	
6. Bottom Sill (with V-918)	1	TE-1522	
7. Center Guide - 3"	1	V-920	
8. Header - Mitered	3	TE-1601	
9. Tubular Towel Bar	1	T-BAR	
10. Solid Tubular Inside Pull	1	HK-21	
11. Towel Bar Pull Fastener	3	1/4-20	
12. Nylon Towel Bar Washer	6	3/4" nylon washer	
13. Nylon Towel Bar Sleeve	3	1/4" nylon sleeve	
14. 6 x 3/8" Screw	2	ZS6X38	
15. Double Roller Bracket Assem - 3"	4	TE-1208D	
16. Inside 1/4" Glass Panel with one 1/2" hole	1	Inside Slider 3/8"	
17. Outside 1/4" Glass Panel with two 1/2" holes	1	Outside Slider 3/8"	
18. Door Guide Vinyl with TE-1522	1	V-918	
19. 135-Degree Post	1	TE-1215	
20. Curb Channel	1	D-1006	
21. Wall Channel	1	D-1006	
22. Post To Curb Key	3	C-180	
23. Post to Header Clip	2	CD-90	
24. Glass Support Block	3	V-902	
25. 6 x 11/4" Screws	1	ZS632X114	
26. 90-Degree Glass Panel	1	V-909	
27. 135-Degree Glass Panel	1	BG-135	
28. Vertical Seal Vinyl	12	SS-1105	
29. 135-Degree Header Clip	4		
30. 135-Degree Post	1		

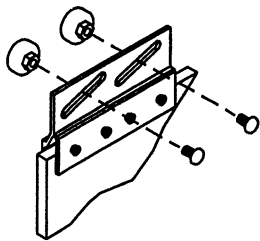


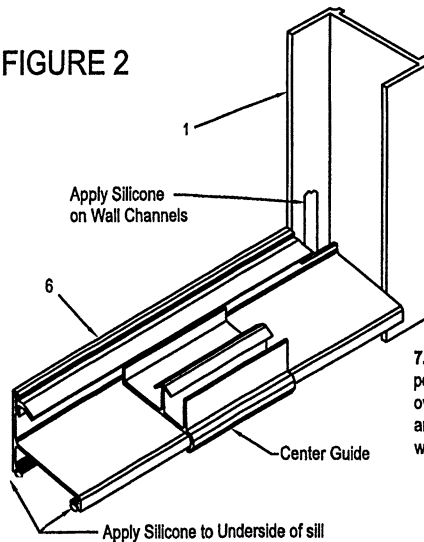
FIGURE 1

Note: Apply a bead of silicone (GE1200) into the open channel of roller bracket before attaching to glass. To assemble roller bracket (15) to glass, tighten screw until surface of roller bracket is depressed by 1/32" (28 inch pounds of torque). Allow silicone to cure for 24 hours before hanging sliders.

1. Draw a line on center of rim of tub or curb. Draw a parallel line 3/4" to outside of center line. This new line represents the outside dimension of the unit. Use this line for placement and cutting of 90-degree curb channel and 135-degree curb channel.
2. Measure out from wall (end panel side) to intersection of diagonal panel, deduct 15/16" and use this measurement to cut 90-degree curb channel to length. Apply a bead of silicone full length to underside of curb channel and set in place (weep holes to inside).

3. Set wall channel (21) in place on curb channel, hold plumb and mark the wall for the screw hole locations. Drill holes and insert plastic anchors (2). Fill curb channel with silicone where curb channel meets wall. Set wall channel (21) in place and secure with 8 x 1-1/4" screws (3). Secure header clip (23) to top inside leg of wall channel with 6 x 3/8" screw (25).
4. Place glass support blocks (24) in 90-degree curb channel. Set panel (26) into place in curb channel and into wall channel. Hold in place, at top only with vertical seal vinyl (28).

FIGURE 2



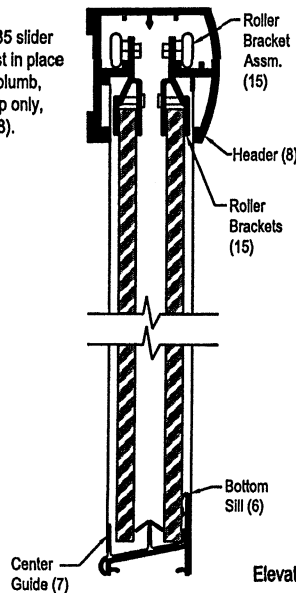
5. Silicone curb where 135-degree post (30) will set. Insert post to curb key (22) into end of 90 curb channel and set post in place over edge of panel. Hold plumb and secure in place at top only, with small wedge vinyl. Secure header clip (23) with a 6 x 3/8" screw (25).
6. Measure from post to point where diagonal and front curb lines meet. Deduct 7/8" from this measurement to cut 135-degree curb channel to length. If contoured surface of 135 post is on this center panel, compress short legs of post curb key about 1/16" and drop down into position from the top of the 135 post, secure 135-degree curb channel in place just like 90-degree curb channel. Place glass support block (24) in center of the curb channel. Set panel (27) into place in curb channel and 135 post. Hold in place, at top only, with small wedge vinyl. Insert post to curb key (22) into end of curb channel.

7. Silicone curb where 135 slider post (19) will set. Set post in place over edge of panel, hold plumb, and secure in place, at top only, with small wedge vinyl (28).

8. Set jamb (1) in place at wall opposite end panels, hold plumb and mark screw hole locations. Drill holes in wall and insert plastic anchors (2). Apply silicone where curb meets wall, set jamb in place and secure with 8 x 1-1/4 SMS (3). Secure bottom bumper with bottom jamb screw.

9. Measure from inside of jamb to inside of 135 post slider post (19) and use this measurement to cut guide to length. Slide or snap center guide onto guide to one side of center. Run bead of caulk full length to underside of guide also to inside of jamb and post to seal ends of guide, then press guide firmly in place.

10. Cut center section of header (8) to length and assemble header using 135 clips (24) and 6 x 3/8" SMS (14). Cut header to length and set in place over jambs, post and wall channel. Secure header to jamb and slider post with 6 x 3/8" screws from inside of shower also to 135 post and wall channel with 6 x 3/8" screws. Insert vertical seal vinyl into wall channels, post and curb channels on both sides of panels.



Elevation View

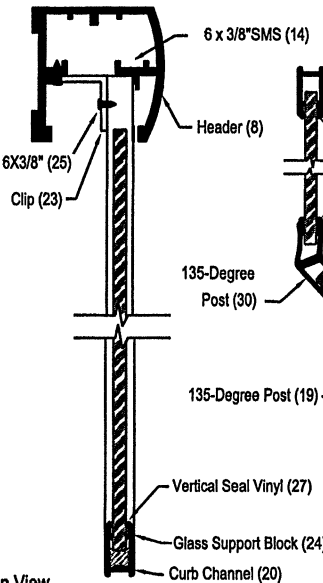
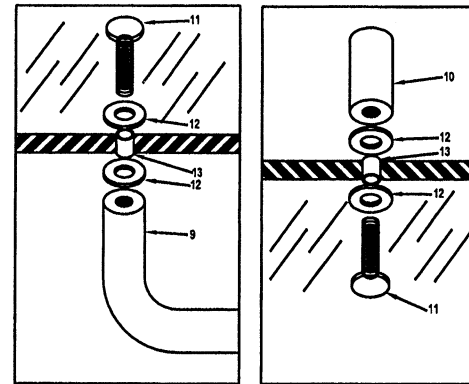


FIGURE 3

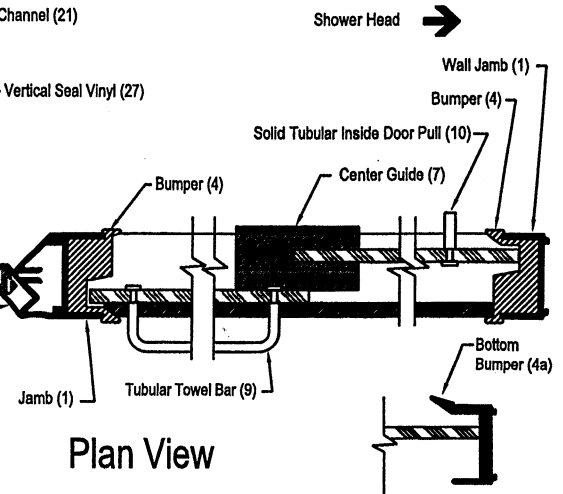


Outside Door Panel

Inside Door Panel

11. Place center guide (7) to center position on sill (6). Make sure the center guide is hooked into the slot position on sill (6), then snap center guide to sill.
12. Close panels and adjust to align the vertical edge of panels with jamb and post. Using a 1/4" box-end-wrench, loosen the screws on the rollers, but don't remove completely. When screws are loose, adjust panel by sliding the screw in the slot. **Note:** when screws are loose be sure to support panel so it does not fall and break. Adjust inside slider as low as possible to reduce the gap between bottom of slider and sill taking care that the glass does not drag on the track or center guide. Adjust for bowed glass by using the slotted hole in the jamb. Secure bumpers to the jambs using 6-32 x 1/2" screw (5).
13. To install towel bar (9), place nylon towel bar insert sleeves (13) into holes in the glass (17). Next hold the tubular towel bar (9) against the hole in the glass with the nylon towel bar/pull washer (12) between the glass and the towel bar. Place a nylon towel bar/pull washer on the towel bar/pull screw (11) and secure towel bar in place on both ends. Install the pull the same way the towel bar was installed. Use hole in fastener to tighten (See Figure 3).
14. Silicone inside of shower where jambs meet walls and sill meets rim of tub.

FIGURE 4



Plan View

GLAS*Source*

Prestige Series Frameless Bypass Tub/Shower Enclosure

Model PT1600-4 Tub Enclosure
Model PS1600-4 Shower Enclosure

Model #	Width	Max. 135° Panel Size	Height	Max. Slider Glass Size
PT1600-4	42" TO 60"	(1) 12" x 55" & (1) 23-1/4" x 55"	57 3/8"	(2) 30" X 55"
PS1600-4	42" TO 60"	(1) 12" x 68" & (1) 23-1/4" x 68"	70 3/8"	(2) 30" X 68"

QTY.	Part# & Description	How to arrive at measurement
1	TE 1601 header	unit width minus 1/16"
1	TE 1522 bottom track	unit width minus 7/16"
2	TE 1203 side jamb	unit height minus 1-1/8"
1	towel bar	center on glass
1	HK-21 knob	center on bar
1	TE 1215 135° post	unit height minus 1-1/8"
1	D 1006 curb	return widths
1	D 1006 back wall vertical	unit height minus 2-1/16"
GLASS 2 pieces	slider width	unit width minus panel width divided by 2
	slider height	unit height minus 2-3/8"
GLASS 1 piece	stationary panel "A" width	return width minus 3/4"
	stationary panel "A" height	unit height minus 2-3/8"
GLASS 1 piece	stationary panel "B" width	return width minus 3/4"
	stationary panel "B" height	unit height minus 2-3/8"

