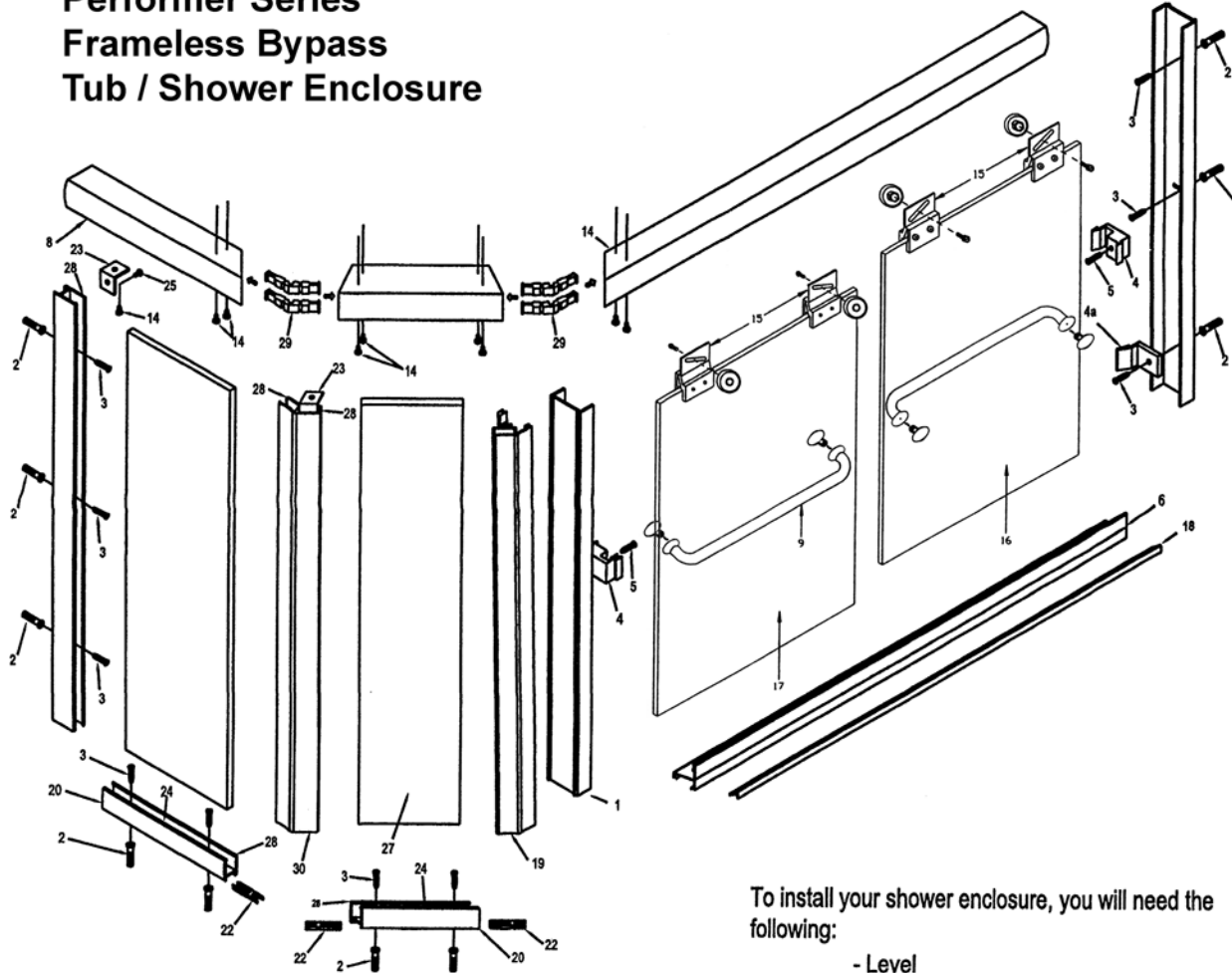


# GLAS*Source*

## Performer Series Frameless Bypass Tub / Shower Enclosure



When ordering repair parts, please give the following information:

1. Model Number
2. Part Number
3. Part Description
4. Color

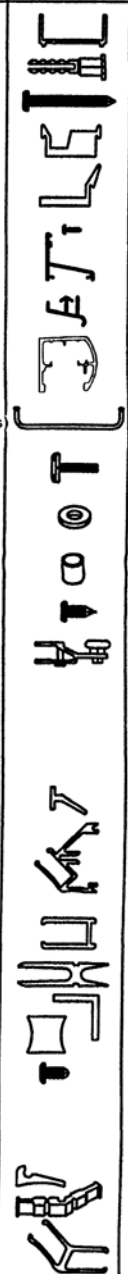
To install your shower enclosure, you will need the following:

- Level
- #31 Drill Bit
- 3/16" Carbide Drill Bit (for tile walls)
- Phillips Screwdriver
- Silicone
- Hack Saw
- 1/4" Box End Wrench

## INSTALLATION INSTRUCTIONS

TE1700-4 / SE1700-4

Description	Qty	Part No.
1. Wall Jamba	2	TE-1203
2. Wall Anchors	6	V-935
3. 8 x 1-1/4" Screws	6	ZS8X114
4. Door Bumpers	2	V-924
4a. Bottom Bumper	1	V-926
5. 6-32 x 1/2" Screw	2	ZS632X12
6. Bottom Sill (with V-918)	1	TE-1522
7. Center Guide - 3"	1	V-920
8. Header - Mitered	3	TE-5201
9. Tubular Towel Bar	1	T-BAR w/style pads
11. Towel Bar Pull Fastener	3	1/4-20
12. Nylon Towel Bar Washer	6	3/4" nylon washer
13. Nylon Towel Bar Sleeve	3	1/4" nylon sleeve
14. 6 x 3/8" Screw	2	ZS6X38
15. Single Roller Bracket Assem - 3"	4	TE-1208
16. Inside 1/4" Glass Panel with two 1/2" holes	1	Inside Slider 3/8"
17. Outside 1/4" Glass Panel with two 1/2" holes	1	Outside Slider 3/8"
18. Door Guide Vinyl with TE-1522	1	V-918
19. 135-Degree Post	1	TE-1215
20. Curb Channel	1	D-1006
21. Wall Channel	1	D-1006
22. Post To Curb Key	3	C-180
23. Post to Header Clip	2	CD-90
24. Glass Support Block	3	V-902
25. 6 x 11/4" Screws	1	ZS632X114
26. 90-Degree Glass Panel	1	
27. 135-Degree Glass Panel	1	
28. Vertical Seal Vinyl	12	V-909
29. 135-Degree Header Clip	4	BG-135
30. 135-Degree Post	1	SS-1105



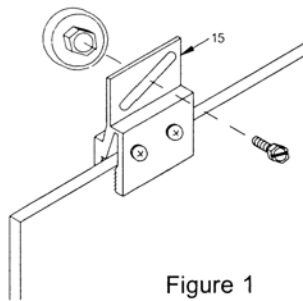


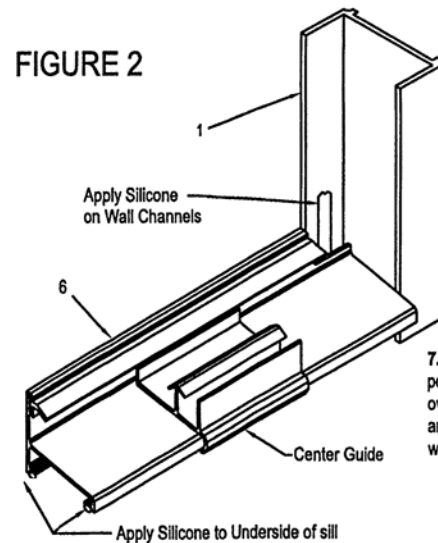
Figure 1

**Note:** Apply a bead of silicone (GE1200) into the open channel of roller bracket before attaching to glass. To assemble roller bracket (15) to glass, tighten screw until surface of roller bracket is depressed by 1/32" (28 inch pounds of torque). Allow silicone to cure for 24 hours before hanging sliders.

1. Draw a line on center of rim of tub or curb. Draw a parallel line 3/4" to outside of center line. This new line represents the outside dimension of the unit Use this line for placement and cutting of 90-degree curb channel and 135-degree curb channel.
2. Measure out from wall (end panel side) to intersection of diagonal panel, deduct 15/16" and use this measurement to cut 90-degree curb channel to length. apply a bead of silicone full length to underside of curb channel and set in place (weep holes to inside).

3. Set wall channel (21) in place on curb channel, hold plumb and mark the wall for the screw hole locations. Drill holes and insert plastic anchors (2). Fill curb channel with silicone where curb channel meets wall. Set wall channel (21) in place and secure with 8 x 1-1/4" screws(3). Secure header clip (23) to top inside leg of wall channel with 6 x 3/8" screw (25).
4. Place glass support blocks (24) in 90-degree curb channel. Set panel (26) into place in curb channel and into wall channel. Hold in place, at top only with vertical seal vinyl (28).

FIGURE 2



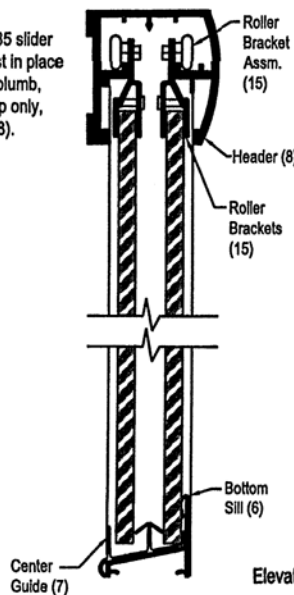
5. Silicone curb where 135-degree post (30) will set. Insert post to curb key (22) into end of 90 curb channel and set post in place over edge of panel. Hold plumb and secure in place at top only, with small wedge vinyl. Secure header clip (23) with a 6 x 3/8" screw (25).
6. Measure from post to point where diagonal and front curb lines meet. Deduct 7/8" from this measurement to cut 135-degree curb channel to length. If contoured surface of 135 post is on this center panel, compress short legs of post curb key about 1/16" and drop down into position from the top of the 135 post, secure 135-degree curb channel in place just like 90-degree curb channel. Place glass support block (24) in center of the curb channel. Set panel (27) into place in curb channel and 135 post. Hold in place, at top only, with small wedge vinyl. Insert post to curb key (22) into end of curb channel.

7. Silicone curb where 135 slider post (19) will set. Set post in place over edge of panel, hold plumb, and secure in place, at top only, with small wedge vinyl (28).

8. Set jamb (1) in place at wall opposite end panels, hold plumb and mark screw hole locations. Drill holes in wall and insert plastic anchors (2). Apply silicone where curb meets wall, set jamb in place and secure with 8 x 1-1/4 SMS (3). Secure bottom bumper with bottom jamb screw.

9. Measure from inside of jamb to inside of 135 post slider post (19) and use this measurement to cut guide to length. Slide or snap center guide onto guide to one side of center. Run bead of caulk full length to underside of guide also to inside of jamb and post to seal ends of guide, then press guide firmly in place.

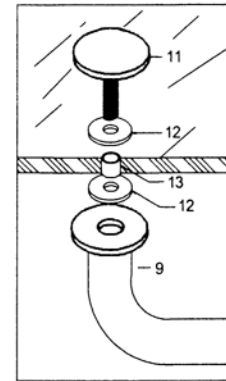
10. Cut center section of header (8) to length and assemble header using 135 clips (24) and 6 x 3/8" SMS (14). Cut header to length and set in place over jambs, post and wall channel. Secure header to jamb and slider post with 6 x 3/8" screws from inside of shower also to 135 post and wall channel with 6 x 3/8" screws. Insert vertical seal vinyl into wall channels, post and curb channels on both sides of panels.



Elevation View

Figure 3

Door Panel



11. Secure bumpers (4) with 6-32 x 1/2" screws (5). Raised portion of bumpers to outside at shower head side to inside at post. Center hole in jamb is slotted to allow jamb to be moved in or out to compensate for bowed glass.

12. To set slider glass in place, hold inside slider panel (16) inside of tub or shower pan, insert rollers up into header and lower into place. Next, insert lower end of outside slider (17) in front of inside slider by pushing lower ends far enough in, to allow clearance on inside edge of tub or pan. Avoid roller bracket to roller bracket contact while lifting panel into place. The outside slider will close against the jamb opposite the shower head.

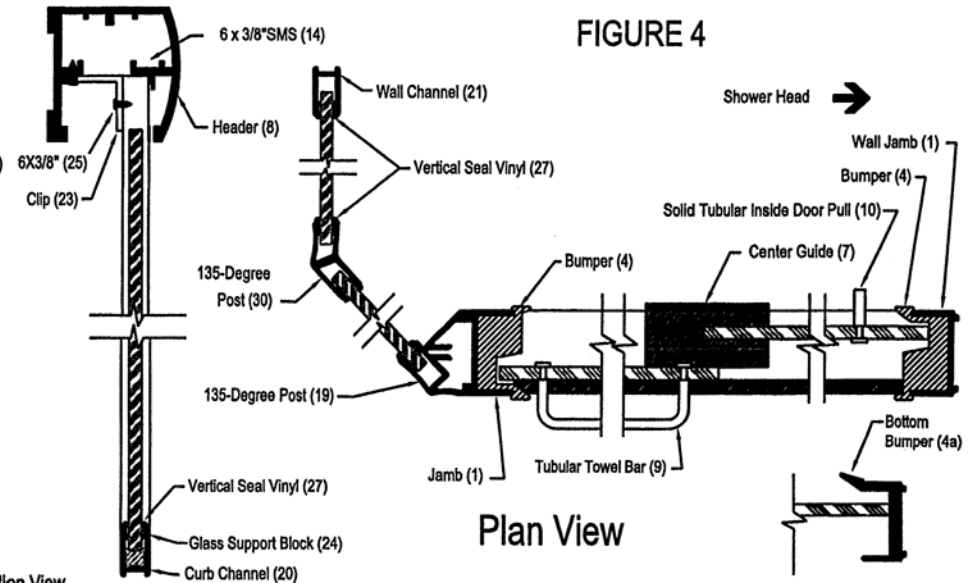
13. Place center guide (7) to center position on sill (6). Make sure the center guide is hooked into the slot position on sill (6), then snap center guide to sill.

14. Close panels and adjust to align the vertical edge of panels with jamb and post. Using a 1/4" box-end-wrench, loosen the screws on the rollers, but don't remove completely. When screws are loose, adjust panel by sliding the screw in the slot. **Note:** when screws are loose be sure to support panel so it does not fall and break. Adjust inside slider as low as possible to reduce the gap between bottom of slider and sill taking care that the glass does not drag on the track or center guide. Adjust for bowed glass by using the slotted hole in the jamb. secure bumpers to the jambs using 6-32 x 1/2" screw (5).

15. To install towel bar (9), place nylon towel bar insert sleeves (13) into holes in the glass (17). Next hold the tubular towel bar (9) against the hole in the glass with the nylon towel bar/pull washer (12) between the glass and the towel bar. Place a nylon towel bar/pull washer on the towel bar/pull screw (11) and secure towel bar in place on both ends. Install the next towel bar the way the first towel bar was installed. Use hole in fastener to tighten (See Figure 3).

16. Silicone inside of shower where jambs meet walls and sill meets rim of tub.

FIGURE 4



Plan View

# GLAS*Source*

## Performer Series Frameless Bypass Tub/Shower Enclosure

Model TE1700-4 Tub Enclosure  
Model SE1700-4 Shower Enclosure

Model #	Width	Max. 135° Panel Size	Height	Max. Slider Glass Size
TE1700-4	42" TO 60"	(1) 12" x 55" & (1) 23-1/4" x 55"	57 3/8"	(2) 30" X 55"
SE1700-4	42" TO 60"	(1) 12" x 68" & (1) 23-1/4" x 68"	70 3/8"	(2) 30" X 68"

QTY.	Part# & Description	How to arrive at measurement
1	TE 5201 header	unit width minus 1/16"
1	TE 1522 bottom track	unit width minus 7/16"
2	TE 1203 side jamb	unit height minus 1-1/8"
1	TE 1215 135° post	unit height minus 1-1/8"
2	towel bar	center on glass
1	D 1006 curb	return widths
1	D 1006 back wall vertical	unit height minus 2-1/16"
GLASS 2 pieces	slider width	unit width minus panel width divided by 2
	slider height	unit height minus 2-3/8"
GLASS 1 piece	stationary panel "A" width	return width minus 3/4"
	stationary panel "A" height	unit height minus 2-3/8"
GLASS 1 piece	stationary panel "B" width	return width minus 3/4"
	stationary panel "B" height	unit height minus 2-3/8"

