



# ASSEMBLY INSTRUCTIONS

Model Numbers

SHOWER ENCLOSURES  
D3 - Wide Access

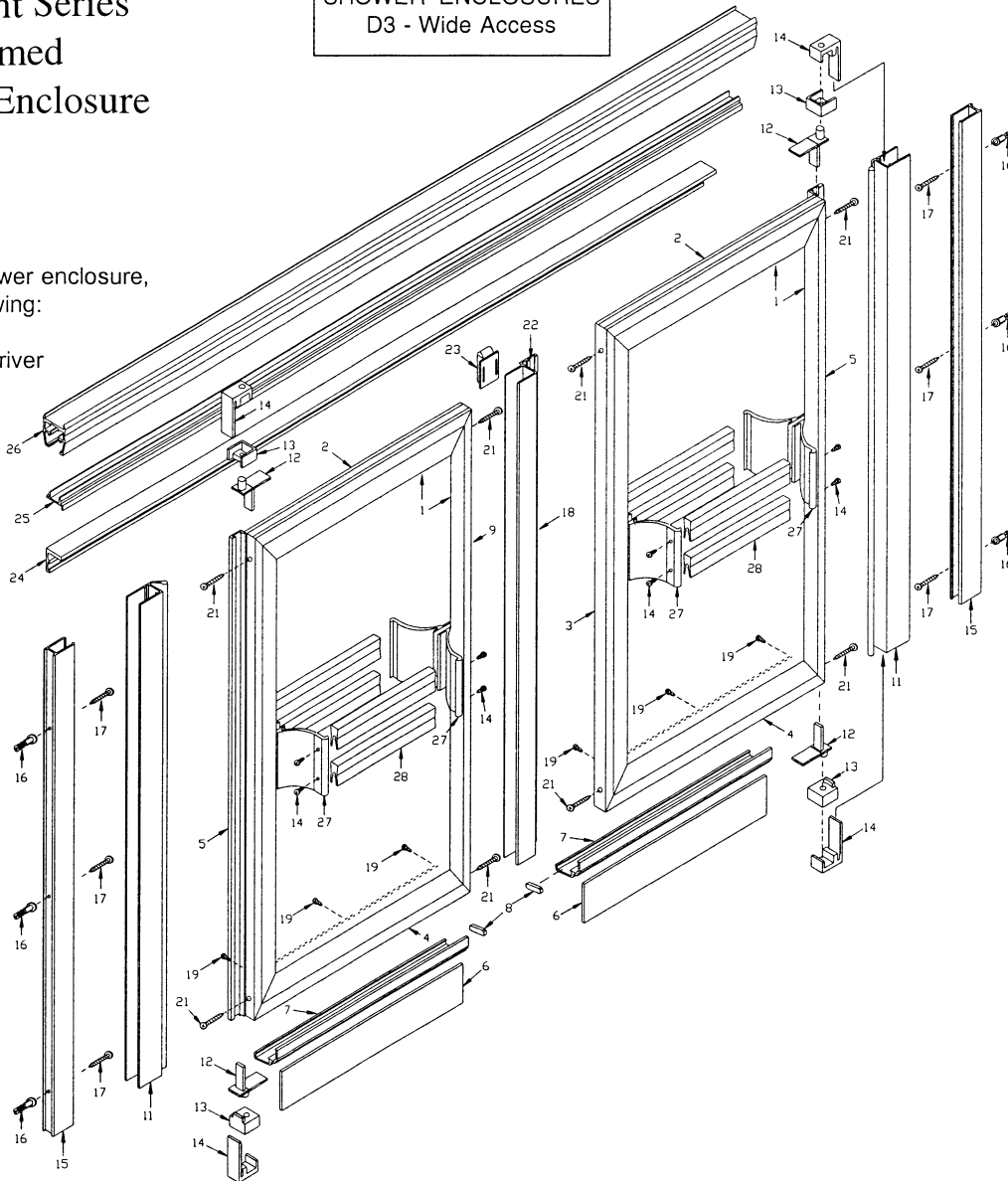
## Highlight Series Framed Shower Enclosure

When Ordering Repair Parts, Please Give The Following Information:

1. Model Number
2. Part Number
3. Part Description
4. Color

To assemble your shower enclosure, you will need the following:

- Phillips Screwdriver
- Silicone
- Hack Saw
- Glazing Block
- Hammer
- Side Cutters



Description	Qty.	Part #	Picture
1. Glazing Vinyl	1	V-542	
2. Top Pivot Rail	2	D1501	
3. Handle Rail	1	D1506	
4. Bottom Pivot Rail	2	D1502	
5. Hinge Rail w Vinyl	2	D1503	
6. Splash Vinyl	2	V-524	
7. Drip Trough	2	D1508	
8. Drip Plug	2	V-905	
9. Vertical Rail	1	D1507	
10. Hinge Jamb Sleeve Vinyl	2	V-522-C	
11. Hinge Jamb	2	D1505	
12. Hinge Pins	4	V-531	
13. Hinge Bushings	4	D1013	
14. Hinge Clips	4	D1009	
15. Wall Channels	4	D1006	
16. Wall Anchors	12	V-935	
17. 8 x 1 1/4 Screws	12	ZS8X114	
18. Latch Jamb w/ V-521	1	D1100-F	
19. 6 x 1/4" Screws	6	ZS632X114	
20. 6 x 3/8" Screws	6	ZS6X38	
21. Magnets	2	V-521	
22. Box Catch	1	V-930	
23. Latch Adjuster	1	D1032	
24. Curb Filler	1	SS-1102	
25. Header	1	SS-1101	
26. Towel Bar Brackets (option)	4	D1512	
27. Towel Bar (option)	8	TE-1205	

