

GLAS*Source*

Highlight Series Continuous Hinge Shower Enclosure

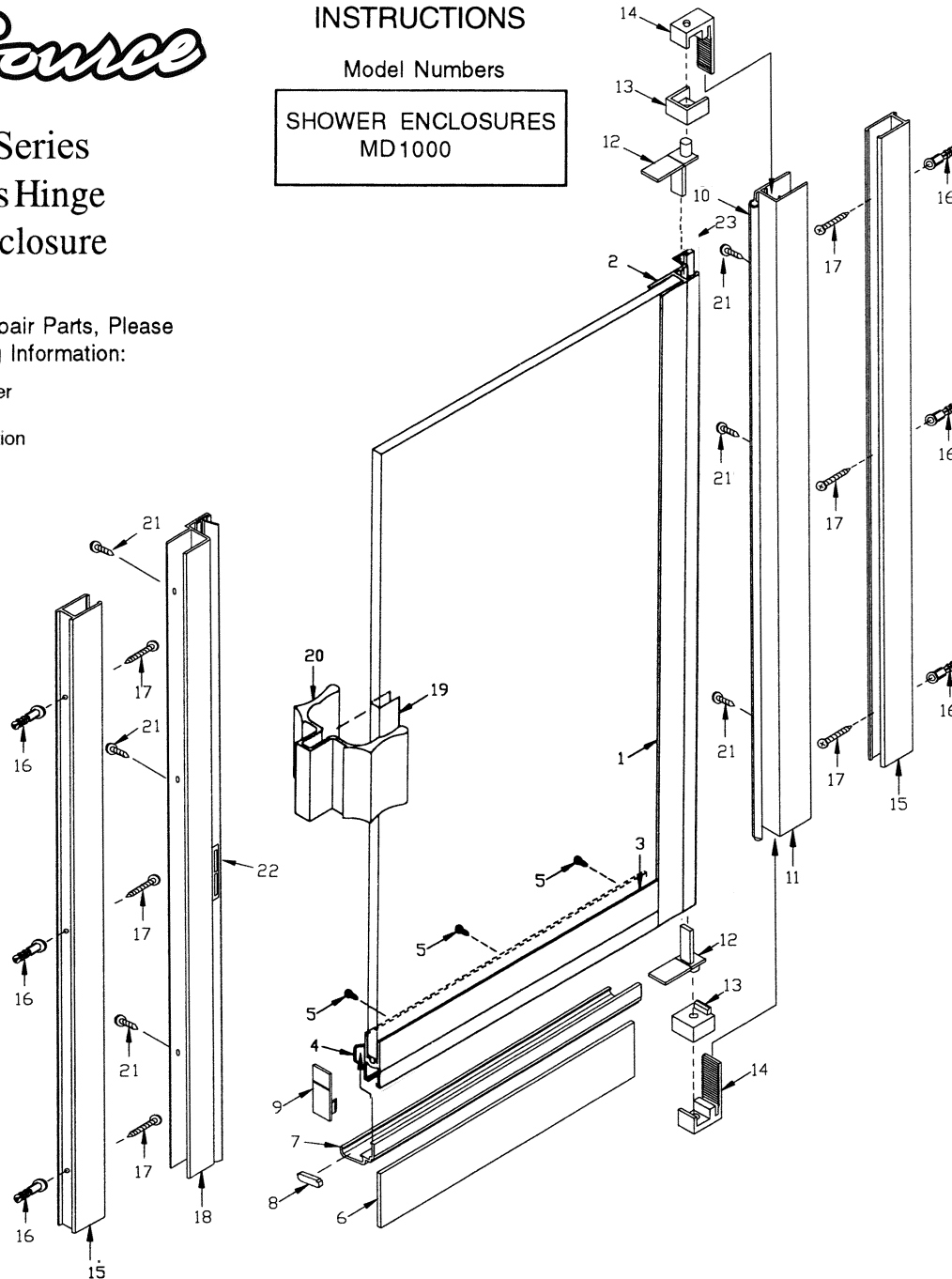
When Ordering Repair Parts, Please
Give The Following Information:

1. Model Number
2. Part Number
3. Part Description
4. Color

INSTALLATION INSTRUCTIONS

Model Numbers

**SHOWER ENCLOSURES
MD 1000**



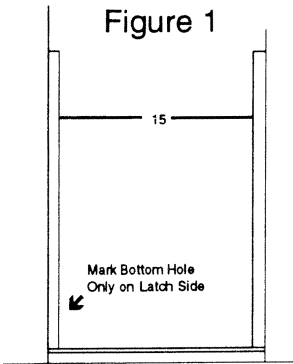
To install your shower enclosure, you will need the following:

- Level
- #31 Drill Bit
- 3/16" Carbide Drill Bit (for tile walls)
- Phillips Screwdriver
- Silicone
- Hack Saw

Description	Qty.	Part #	Picture
1. Glazing Vinyl	1	V-525	
2. Hinge Rail with Vinyl	1	D1503	
3. Glazing Vinyl	1	V-502	
4. Bottom Rail	1	D1502	
5. 6 x 1/4" SMS B Screws	3	ZS632X14	
6. Splash Vinyl	1	V-524	
7. Drip Trough	1	D1508	
8. Drip Plug	1	V-905	
9. Bottom Rail End Cap	1	V-534	
10. Hinge Jamb Sleeve Vinyl	1	V-522	
11. Hinge Jamb	1	D1505	
12. Hinge Pins	2	V-531	
13. Hinge Bushings	2	D1013	
14. Hinge Clips	2	BG1009	
15. Wall Channels	2	D1006	
16. Wall Anchors	6	V935	
17. 8 x 1 1/4" SMS Screws	6	ZS8X114	
18. Latch Jamb w/ V-520 Vinyl	1	D1504	
19. 3" Handle Vinyl	1	V-914	
20. 3" Door Pull	1	MAG4011	
21. 6 x 3/8" SMS Screws	6	ZS6X38	
22. Magnetic Strike	1	MAGST	

General: Wall channels (15) are supplied 67 3/4" long. For door only installation (with no header or curb), cut with a hacksaw to 66 5/8" so they will not extend above the hinge and latch jamba.

Figure 1



1. Hold wall channels (15) in a plumb position and mark hole locations on the hinge side and bottom hole only on the latch side (See Figure 1). Drill holes in wall (using 3/16" carbide drill for tile walls). Insert wall anchors (16) into drilled holes.

2. Set wall channels in place and secure with 8 x 1 1/4" screws (17) using bottom screw only on latch side (See Figure 2).

Note: Door is adjustable up to 3/4" (3/8" at hinge jamb and 3/8" at latch jamb).

Example: A PD-1000-24 door will fit an opening 24 1/8" to 24 7/8". The 3/8" adjustment should also be used to correct out-of-plumb conditions. For openings up to 24 1/2", set hinge jamb all the way over the wall channel and adjust latch jamb to meet door. For openings over 24 1/2" adjust hinge jamb out on wall channel to compensate for additional opening width.

3. Set latch jamb (18) in place over wall channel, but Do NOT secure.

4. Set hinge jamb with door attached (2 & 11) in place over wall channel. Adjust laterally, plumb to fit opening.

Mark three holes on wall channel through the predrilled holes on hinge jamb. Drill three holes with a #31 (or 1/8") drill bit and secure with 6 x 3/8" SMS screws (21).

5. Apply 3" vinyl channel (19) to edge of glass, centered on handle side. Tap handle (20) in place over vinyl channel.

6. Align latch jamb (18) with edge of door glass and mark wall channel (15) location on wall. Remove latch jamb and mark holes on wall. Lean wall

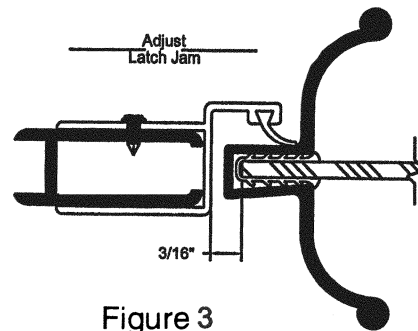


Figure 3

channel to one side to allow enough room for drill and drill the remaining two holes on wall. Insert wall anchors (16).

7. Replace wall channel and secure remaining two holes in wall channel using two 8 x 1 1/4" screws (17).

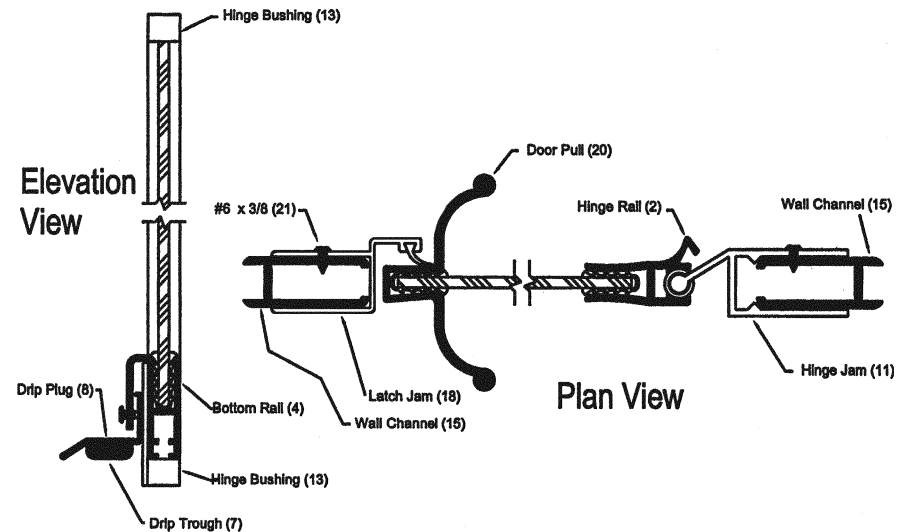
8. Replace latch jamb over wall channel. Close door and adjust latch jamb 3/16" from edge of glass (See Figure 3). Through the holes provided in the latch jamb, drill three 1/8" holes in wall channel. Secure latch jamb to wall channel with 6 x 3/8" SMS screws (21).

9. Align Door Pull (20) with magnetic strike in Latch Jamb (18).

10. Adjust drip trough (7), up at latch side of door and down at hinge side of door so water will drain into shower when door is opened. Adjust splash vinyl (6) to within 1/8" of curb.

Note: Splash vinyl should not touch curb.

11. Clean area to where sealant is to be applied and run a bead of sealant full length inside and outside of each wall channel, where channel meets wall. Allow sealant to cure for 24 hours.



Highlight Series Frameless Swing Door Enclosure

Model MD1000 Shower Enclosure

QTY.	Part# & Description	How to arrive at measurement
2	D 1006 wall channels *	unit height
1	D 1505 hinge jamb	unit height
1	D 1504 latch jamb	unit height
1	D 1503	unit height minus 7/8"
1	D 1502 bottom rail	glass width (see chart) minus 11/16"
1	D 1508 drip trough	glass width (see chart) minus 3/16"
GLASS 1 piece	door width	unit width minus 3-3/16"
	door height	unit height minus 1-5/8"

* D 1028 can be substituted for 1006, This will allow your door to be reduced by 3/16" for every 1028 (maximum of 2 for 3/8"

If a door width falls on a whole number, or spans 2 size ranges due to out-of-plumb walls, you will need D1028, or custom sized glass.

Model #	Opening Size	Glass Size	D1502	D1508	V-524-D
MD1000-22	22" - 22-7/8"	18 13/16 x 65	18 1/8"	18 5/8"	20"
MD1000-23	23" - 23-7/8"	19 13/16 x 65	19 1/8"	19 5/8"	21"
MD1000-24	24" - 24-7/8"	20 13/16 x 65	20 1/8"	20 5/8"	22"
MD1000-25	25" - 25-7/8"	21 13/16 x 65	21 1/8"	21 5/8"	23"
MD1000-26	26" - 26-7/8"	22 13/16 x 65	22 1/8"	22 5/8"	24"
MD1000-27	27" - 27-7/8"	23 13/16 x 65	23 1/8"	23 5/8"	25"
MD1000-28	28" - 28-7/8"	24 13/16 x 65	24 1/8"	24 5/8"	26"
MD1000-29	29" - 29-7/8"	25 13/16 x 65	25 1/8"	25 5/8"	27"
MD1000-30	30" - 30-7/8"	26 13/16 x 65	26 1/8"	26 5/8"	28"
MD1000-31	31" - 31-7/8"	27 13/16 x 65	27 1/8"	27 5/8"	29"
MD1000-32	32" - 32-7/8"	28 13/16 x 65	28 1/8"	28 5/8"	30"
MD1000-33	33" - 33-7/8"	29 13/16 x 65	29 1/8"	29 5/8"	31"
MD1000-34	34" - 34-7/8"	30 13/16 x 65	30 1/8"	30 5/8"	32"
MD1000-35	35" - 35-7/8"	31 13/16 x 65	31 1/8"	31 5/8"	33"
MD1000-36	36" - 36-7/8"	32 13/16 x 65	32 1/8"	32 5/8"	34"